

Product Information

Profibus-DP Filter box No. 252 916

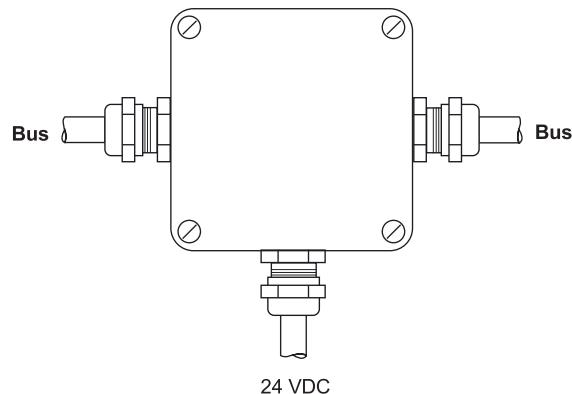
The box is used for EMC-conformal feeding of 24 VDC supply voltage into the Profibus-DP hybrid cable.

The Bus will be protected against noise out of power lines by a filter. Additionally the filter suppresses malfunctions out of Bus signals.

- The device is for use with hybrid bus cables on both sides.
Supply voltage and the Profibus wires should be together inside the cable shield.

- The stabilized 24 VDC power supply needs a shielded cable.

- Chamfered terminal blocks and standard EMC cable bushing are for easy assembling. Pls. note the specifications of Profibus user organisation (PNO).



Technical Data

Nominal voltage: 24 VDC / RS 485

Nominal current: 8A

Operating temperature: -30°C ... +85 °C

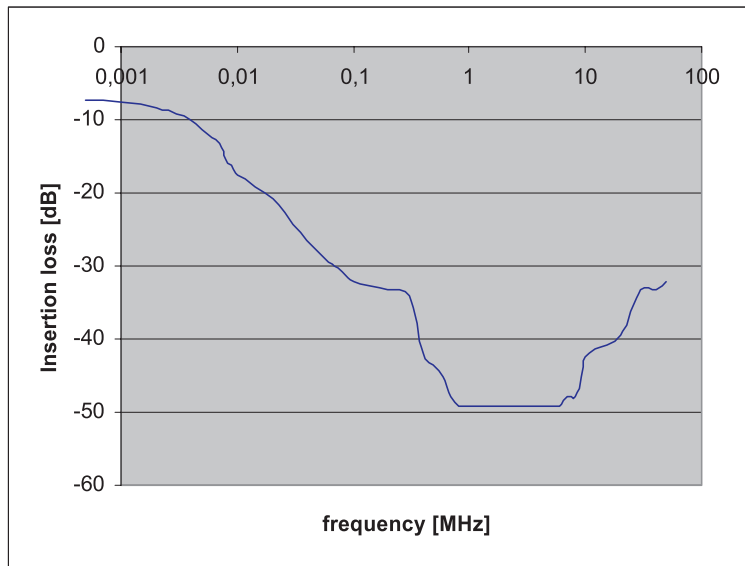
Dimensions: 80 x 75 x 58 mm

EMC cable gland: PG11

Cable diameter: 4 - 10 mm

Wire gauge: 0,2 - 2,5 mm²

Typical insertion loss:



Product Information

Profibus-DP Filter box No. 252 916

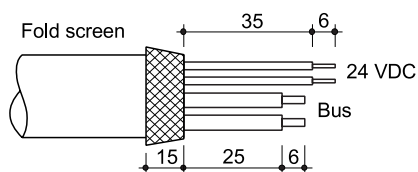
Mounting instructions

The box is equipped with EMC PG-gland bushings for strain relief and contacting the cable screen.

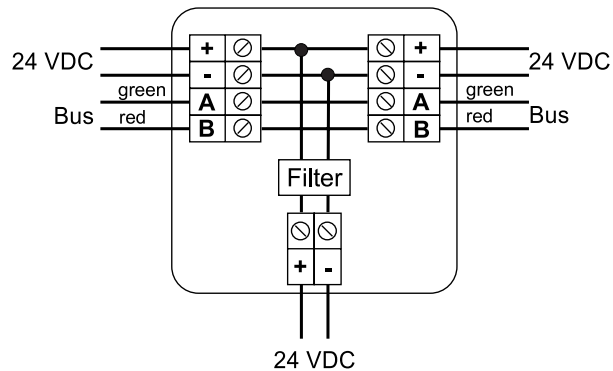
Note: A once built-in cable cannot be removed again.

The attempt mostly leads to the damage of the cable gland. Pls. replace damaged PG's.

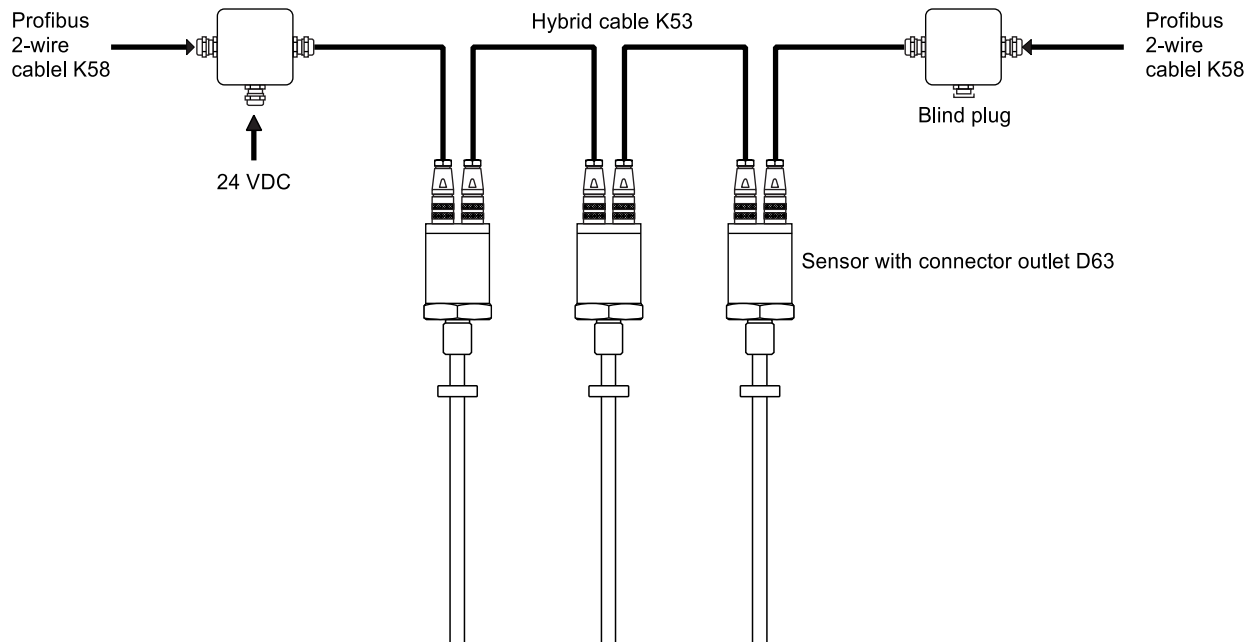
- Cut and remove cable jacket
- Fold braid appr. 15 mm back over jacket
- Close gland bushing



Wiring



Connections sample



How to order:

Profibus-DP Filter box - Part No. 252 916

UNITED STATES
Temposonics, LLC
Americas & APAC Region
3001 Sheldon Drive
Cary, N.C. 27513
Phone: +1 919 677-0100
E-mail: info.us@temposonics.com

GERMANY
Temposonics
GmbH & Co. KG
EMEA Region & India
Auf dem Schüffel 9
58513 Lüdenscheid
Phone: +49 2351 9587-0
E-mail: info.de@temposonics.com

ITALY
Branch Office
Phone: +39 030 988 3819
E-mail: info.it@temposonics.com

FRANCE
Branch Office
Phone: +33 6 14 060 728
E-mail: info.fr@temposonics.com

UK
Branch Office
Phone: +44 79 44 15 03 00
E-mail: info.uk@temposonics.com

SCANDINAVIA
Branch Office
Phone: +46 70 29 91 281
E-mail: info.sca@temposonics.com

CHINA
Branch Office
Phone: +86 21 2415 1000 / 2415 1001
E-mail: info.cn@temposonics.com

JAPAN
Branch Office
Phone: +81 3 6416 1063
E-mail: info.jp@temposonics.com

temposonics.com